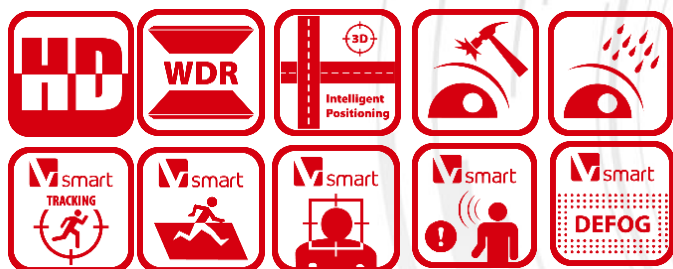


DS-2DF8836IV-AELW 4K Smart IR PTZ Camera



Hikvision 4K series DS-2DF8836IV-AELW smart PTZ dome cameras are able to capture high quality colored images in dim light environment with its cutting-edge low illumination level down to 0.02Lux (color). Embedded with 1/1.9" progressive scan CMOS chip makes WDR and 8MP real-time resolution possible. With the 36X optical zoom Day/Night lens, the camera offers more details over expansive areas.

The 4K series PTZ camera also features a wide range of smart functions, including face detection, intrusion detection, line crossing detection and audio exception, benefitting users with great improvement on security efficiency, more importantly, with key events / objects being recorded for further forensic needs. These features, combined with smart tracking, which enables the camera to detect any progressively moving object and follow it within the camera's area of coverage without fault. Smart Defog is further supported to improve image quality in challenging conditions.

Key Features

- 1/1.9" HD CMOS sensor
- 4K 8MP(4096x2160)
- 36X Optical Zoom
- Smart Tracking
- Smart Detection
- 200m IR distance
- Support wiper
- Hi-PoE / 24VAC power supply



Function Description

Basic function

- High performance CMOS, up to 4096x2160 resolution
- $\pm 0.1^\circ$ Preset Accuracy
- ONVIF(Open Network Video Interface Forum), CGI(Common Gateway Interface), PSIA(Physical Security Interoperability Alliance), to ensure greater interoperability between different platforms and compatibility
- 3D intelligent positioning function
- 3D DNR
- IP66 standard
- 7 alarm inputs and 2 alarm outputs; 1 audio input and 1 audio output
- Support wiper

Smart Function

- Smart tracking modes: Manual/ Panorama/ Intrusion trigger/ Line crossing trigger/ Region entrance trigger/ Region exiting trigger, support smart tracking when patrol between multiple scenarios
- Smart detection: support Face detection, Intrusion detection, Line crossing detection, Audio exception detection, Region entrance detection, Region exiting detection.
- Smart recording: support edge recording, support dual-VCA for smart search in smart NVR
- Smart image processing: support optical defog, HLC, smart IR
- Smart codec: low bit rate, ROI

Camera function

- compensation and auto day & night switch
- Min. Illumination: 0.02Lux@(F1.5,AGC ON)(Color), 0.002Lux@(F1.5,AGC ON)(B/W), 0 Lux with IR
- Up to 200m IR distance; IR light MTBF reaching up to 30,000 hours
- Support privacy mask

PTZ functions

- 360° endless pan range and $-20^\circ \sim 90^\circ$ tilt range;
- 0.1°~ 160°/s Manual Pan Speed and 0.1°~ 120°/s Manual Tilt Speed
- 240°/s Pan Preset Speed and 200°/s Tilt Preset Speed
- 300 presets programmable; preset image freezing capability
- 8 patrols, up to 32 presets per patrol
- 4 patterns, with the recording time not less than 10 minutes per pattern
- Proportional zoom function
- Park action: auto call up of PTZ movement, after a defined time of inactivity
- Power-off memory: restore PTZ & Lens status after reboot.

Network function

- H.264/MJPEG video compression; H.264 encoding with Baseline/Main/High profile
- ROI(Region of Interest) encoding(support 24 areas with adjustable levels)
- Built-in Web server
- Onboard storage, up to 128GB
- Support up to 8 NAS storage; Edge recording(transmit the videos from SD card to the NAS after network resumed)
- HTTPS encryption and IEEE 802.1X port-based network access control
- Support trip-streams
- Multiple network protocols supported: IPv4/Ipv6, HTTP, HTTPS, 802.1X, QoS, FTP, SMTP, UPnP, SNMP, DNS, DDNS, NTP, RTSP, RTP, TCP, UDP, IGMP, ICMP, DHCP, PPPoE

Specifications

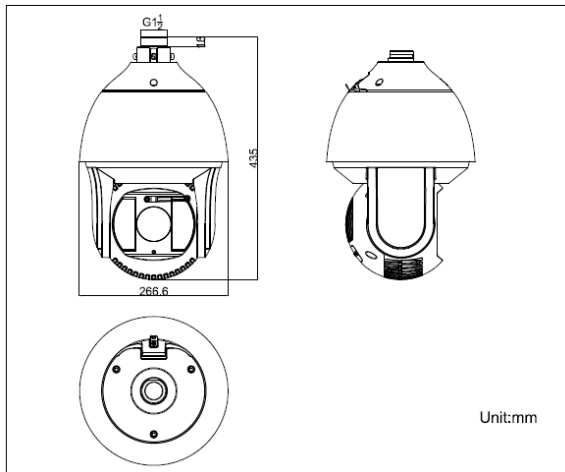
| | |
|-----------------------|---|
| Model | DS-2DF8836IV-AELW |
| Camera Module | |
| Image Sensor | 1/1.9" Progressive Scan CMOS |
| Min. Illumination | F1.5, 50IRE, AGC On: Color: 0.02 lux, B/W : 0.002 lux, 0 lux with IR |
| Max. Image Resolution | 4096x2160 |
| Focal Length | 5.7-205.2mm, 36x |
| Digital Zoom | 16X |
| Zoom Speed | Approx.7.4s(Optical Wide-Tele) |
| Angle of View | 56.8-2.02 degree (Wide-Tele) |
| Min. Working Distance | 10-1500mm(Wide-Tele) |
| Aperture Range | F1.55~F4.8 |
| Focus Mode | Auto / Semiautomatic / Manual |
| WDR | Support |
| Shutter Time | 50Hz: 1~1/30,000s; 60Hz: 1~1/30,000s |
| AGC | Auto / Manual |
| White Balance | Auto / Manual /ATW/Indoor/Outdoor/Daylight lamp/Sodium lamp |
| Day & Night | IR Cut Filter |
| Privacy Mask | 24 privacy masks programmable |
| Optical Defog | Support |
| Enhancement | 3D DNR, HLC/BLC, SVC |
| Pan and Tilt | |
| Range | Pan:360° endless; Tilt: -20°~90°(Auto Flip) |
| Speed | Pan Manual Speed: 0.1°~160°/s, Pan Preset Speed: 240°/s Tilt Manual Speed: 0.1°~120°/s, Tilt Preset Speed: 200°/s |
| Number of Preset | 300 |
| Patrol | 8 patrols, up to 32 presets per patrol |
| Pattern | 4 patterns, with the recording time not less than 10 minutes per pattern |
| Park Action | Preset / Patrol / Pattern / Auto scan / Tilt scan / Random scan / Frame scan / Panorama scan |
| Scheduled Task | Preset / Patrol / Pattern / Auto scan / Tilt scan / Random scan / Frame scan / Panorama scan/Dome reboot/Dome adjust/Aux output |
| Smart Features | |
| Smart tracking | Manual/ Panorama/ Intrusion trigger/ Line crossing trigger/ Region entrance trigger/ Region exiting trigger / Smart tracking when patrol between multiple scenarios |
| Smart detection | Face detection, Intrusion detection, Line crossing detection, Audio exception detection, Region entrance detection, Region exiting detection |
| ROI encoding | Support 6 areas with adjustable levels |
| Infrared | |
| IR Distance | Up to 200m |
| IR Intensity | Automatically adjusted, depending on the zoom ratio |

| Alarm | |
|---------------------------|---|
| Alarm I/O | 7/2 |
| Alarm Trigger | Face detection, Intrusion detection, Line crossing detection, Region entrance, Region exiting, Audio exception detection, Motion detection, Dynamic analysis, Tampering alarm, Network disconnect, IP address conflict, Storage exception |
| Alarm Action | Preset, Patrol, Pattern, Micro SD/SDHC card recording, Relay output, Notification on Client, Send Email, Upload to FTP, Trigger Channel |
| Input/Output | |
| Monitor Output | 1.0V[p-p] / 75Ω, NTSC (or PAL) composite, BNC (S / N Ratio ≥ 55dB) |
| Audio Input | 1 Mic in/Line in interface, line input: 2-2.4V[p-p]; output impedance: 1KΩ, ±10% |
| Audio Output | 1 Audio output interface, line level, impedance: 600Ω |
| Network | |
| Ethernet | 10Base-T / 100Base-TX, RJ45 connector |
| Main Stream | 50Hz:25fps(4096×2160, 3840×2160, 3072×1728, 2560×1440, 1920×1080, 1280×720) 60Hz:24fps(4096×2160), 30fps(3840×2160, 3072×1728, 2560×1440, 1920×1080, 1280×720) |
| Sub Stream | 50Hz: 25fps(704×576, 640×480, 352×288); 60Hz: 30fps(704×480, 640×480, 352×240) |
| Third Stream | 50Hz: 25fps(704×576, 640×480, 352×288); 60Hz: 30fps(704×480, 640×480, 352×240) |
| Image Compression | H.264/MJPEG, H.264 encoding with Baseline/Main/High profile |
| Audio Compression | G.711ulaw/G.711alaw/G.726/MP2L2/G.722/PCM |
| Protocols | IPv4/IPv6, HTTP, HTTPS, 802.1X, QoS, FTP, SMTP, UPnP, SNMP, DNS, DDNS, NTP, RTSP, RTP, TCP, UDP, IGMP, ICMP, DHCP, PPPoE |
| Simultaneous Live View | Up to 20 users |
| Mini SD Memory Card | Support up to 128GB Micro SD/SDHC/SDXC card. Support Edge recording |
| User/Host Level | Up to 32 users,3 Levels: Administrator, Operator and User |
| Security Measures | User authentication (ID and PW); Host authentication (MAC address); IP address filtering |
| System Integration | |
| Application programming | Open-ended API, support ONVIF, PSIA, CGI and Genetec |
| Web Browser | IE 7+, Chrome 18 +, Firefox 5.0 +, Safari 5.02 +, support multi-language |
| RS-485 Protocols | HIKVISION, Pelco-P, Pelco-D, self-adaptive |
| Power | High-PoE&24 VAC, Max.60W |
| Working Temperature | -40°C ~ 65°C (-40°F ~ 149°F) |
| Humidity | 90% or less |
| Protection Level | IP66, IK10, TVS 6,000V lightning protection, surge protection and voltage transient protection |
| Certification | FCC, CE, UL, RoHS, IEC/EN 61000, IEC/EN 55022, IEC/EN 55024, IEC /EN60950-1 |
| Dimensions | Φ266.6(mm)×435(mm) |
| Weight (approx.) | 8kg (approx.) |
| Mount Option | Long-arm wall mount: DS-1602ZJ; Corner mount: DS-1602ZJ-corner; Pole Mount: DS-1602ZJ-pole; Power box mount:DS-1602ZJ-box; Swan-neck mount: DS-1619ZJ |

Order Models

DS-2DF8836IV-AELW, Hi-POE & 24VAC, 200m IR

Dimensions



Accessories



DS-1602ZJ
Wall Mount



DS-1602ZJ-Conner
Conner Mount



DS-1602ZJ-Pole
Pole Mount



DS-1602ZJ-Box
Box Mount



DS-1663ZJ
Celling mount



DS-1661ZJ
Pendant mount



DS-1662ZJ
Pendant mount



DS-1619ZJ
Swan-neck Mount



DS-1100KI
Network Keyboard



DS-1005KI
USB Joy-stick

Distributed by



Headquarters

No.555 Qianmo Road, Binjiang District,
Hangzhou 310051, China
T +86-571-8807-5998
overseasbusiness@hikvision.com

Hikvision Poland

T +48-22-460-01-50
poland@hikvision.com

Hikvision USA

T +1-909-895-0400
sales.usa@hikvision.com

Hikvision India

T +91-22-28469900
sales@pramahikvision.com

Hikvision UK

T +44-1628-9021-4
support.uk@hikvision.com

Hikvision Europe

T +31-23-5542770
saleseuro@hikvision.com

Hikvision Italy

T +39-0438-6902
info.it@hikvision.com

Hikvision Singapore

T +65-6684-4718
sg@hikvision.com

Hikvision Middle East

T +971-4-8816086
salesme@hikvision.com

Hikvision France

T +33(0)1-85-330-444
info.fr@hikvision.com

Hikvision Oceania

T +61-2-8599-4233
salesau@hikvision.com

Hikvision Russia

T +7-495-669-67-99
saleru@hikvision.com

Hikvision Spain

T +34-91-737-16-55
info.es@hikvision.com

Hikvision Hong Kong

T +852-2151-1761