

IPC342LR-V 2MP VF Vandal-resistant Network IR Fixed Dome Camera



Key Features

Optics

- Day/night functionality
- Smart-IR technology
- Lowlight surveillance

Compression

- Dual streams
- ROI (Region of Interest)
- 9:16 corridor mode
- Customized OSD

Network

- NAA (Network Auto-Adaptability) to cope with up to 5% network packet loss
- Dual direct-to-iSCSI data block storage
- ONVIF Conformance

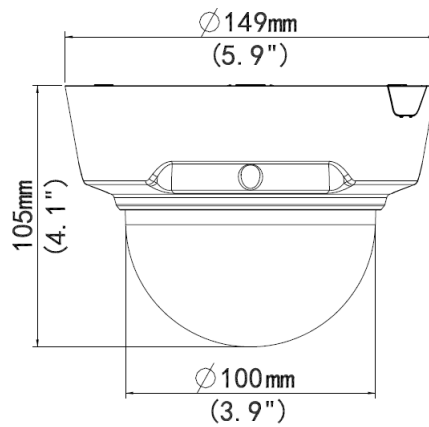
Structure

- Support PoE power supply
- Wide temperature range: -30°C to 60°C (-22°F to 140°F)
- Wide voltage range of $\pm 25\%$
- IK10 vandal resistant
- IP66-rated

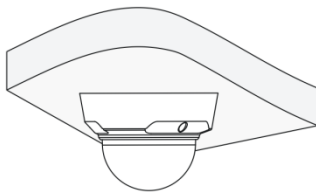
Specifications

	IPC342LR-V
Camera	
Sensor	1/2.8", 2Megapixel, progressive scan CMOS
Shutter	Auto/Manual, 1/6~1/8000 s
Lens	2.8~12 mm @ F1.4; Angle of View (H): 103° (wide) ~30.8° (tele)
Zoom/Focus	Manual
Min. Illumination	Color: 0.06 Lux (F1.4, 50IRE) Black & White: 0.03Lux (F1.4, 50IRE)
Day/Night	IR-cut filter with auto switch (ICR)
S/N	>52dB
Video	
Max. Resolution	1920 × 1080
Video Compression	H.264,MJPEG
Frame Rate	1080P (1920×1080):Max.30 fps; 720P (1280×720):Max.30 fps; D1 (720×576):Max.25 fps
9:16 Corridor Mode	Support
ROI	Support
Video Streaming	Dual
OSD	Up to 8 OSDs
Privacy Mask	Up to 4 areas
Audio	
Audio Compression	G.711
Two-way Talking	Support
Storage	
Edge Storage	Micro SD, up to 32 GB
Back-end Storage	Dual direct-to-iSCSI data block storage
Cache Post Recording	Support
Network	
Protocols	L2TP,IPv4,IGMP,ICMP,ARP,TCP,UDP,DHCP,PPPoE,RTP,RTSP,Qos,NTP,FTP,HTTP,SNMP,SIP
Compatible Integration	ONVIF, IMOS,API
Interface	
Audio I/O	Audio cable
	Input: impedance 35 kΩ; amplitude 2 V [p-p]
	Output: impedance 600 Ω; amplitude 2 V [p-p]
Alarm I/O	1 / 1
Network	10M/100M Base-TX Ethernet
General	
Power Supply	12 V DC, or PoE (IEEE802.3 af)
	Power consumption: 3.5W(with IR on: extra 2W)
Dimensions (∅ x H)	∅149 x 105 mm (∅5.9" x 4.1")
Weight	0.75 kg (1.7 lb)
Working Environment	-30°C ~ +60°C (-22°F ~ 140°F), Humidity ≤ 90% RH(non-condensing)
Vandal Resistant	IK10

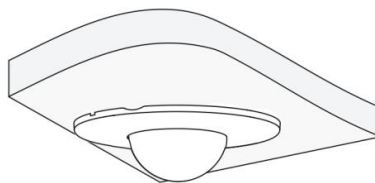
Dimensions



Installation



Ceiling mount



In-ceiling mount

Accessories

Installation mode	Accessories	Description
Ceiling mount	Mounting pedestal is included in the product package	For indoor ceiling installation
In-ceiling mount	AE-TR-FM152 bracket	For indoor in-ceiling installation
Wall mount	AE-TR-UF45+ AE-TR-WE45	/
Pendant mount	AE-TR-UF45+ AE-TR-CE45	/

Zhejiang Uniview Technologies Co., Ltd.

South Tower, Building 10, Wanlun Science Park, 88 Jiangling Road, Hangzhou, P.R.China 310051

<http://www.uniview.com>

©2013 Zhejiang Uniview Technologies Co., Ltd. All rights reserved.

*Product specifications and availability are subject to change without notice.