

IPC6222ER-X20 2MP 20x IR Network PTZ Dome Camera



Key Features

Optics

- Accurate and fast focusing
- The third-generation infrared technology
- Smart IR, up to 100 m (328 ft) IR distance
- Optical glass window with higher light transmittance
- IR anti-reflection window to increase the infrared transmittance
- Hydrophobic film coated, water and dust repellence

Compression

- H.264 High Profile
- Triple streams
- Customized OSD

Network

- NAA (Network Auto-Adaptability) to cope with up to 5% network packet loss
- UNP(Universal Network Passport) patented technology for NAT traversal
- Dual direct-to-iSCSI data block storage
- ONVIF Conformance

Structure

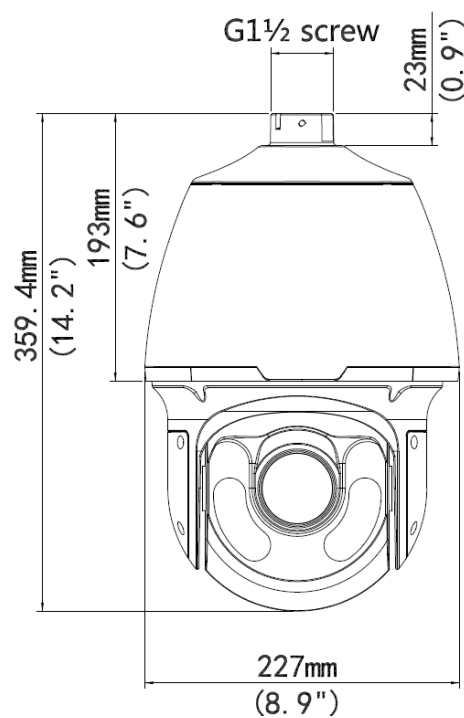
- Special structure and window design to battle bad weather (especially in dusty weather)
- Innovative snow-removing functionality
- More effective heat dissipation system
- Intelligent temperature control technology
- 6 KV surge protection designed for network interface

Specifications

| | |
|------------------------|---|
| | IPC6222ER-X20 |
| Camera | |
| Sensor | 1/2.8", 2Megapixel, progressive scan, CMOS |
| Lens | 4.7 ~ 94 mm (20x optical zoom) |
| Angle of View (H) | 61.9° (wide) ~ 3.5° (tele) |
| Iris | Auto/Manual; F1.6 ~ F3.3 |
| Shutter | Auto/Manual; shutter time: 1/6 s ~ 1/8000 s |
| Minimum Illumination | Color: 0.03 lux (F1.6, 50IRE) B/W: 0.01 lux (F1.6, 50IRE) |
| S/N | >52dB |
| Day/Night | IR-cut filter with auto switch (ICR) |
| Video | |
| Max. Resolution | 1920 × 1080 |
| Video Compression | H.264,MJPEG |
| Frame Rate | 1080P (1920×1080):Max.30 fps; 720P (1280×720):Max.30 fps; D1 (720×576):Max.25 fps |
| Video Streaming | Triple |
| OSD | Up to 8 OSDs |
| Privacy Mask | Up to 8 areas |
| Digital Zoom | Support |
| Audio | |
| Audio Compression | G.711 |
| Two-way Talking | Support |
| Storage | |
| Edge Storage | SD, up to 32 GB |
| Back-end Storage | Dual direct-to-iSCSI data block storage |
| Cache Post Recording | Support |
| Network | |
| Protocols | L2TP,IPv4,IGMP,ICMP,ARP,TCP,UDP,DHCP,PPPoE,RTP,RTSP,Qos,NTP,FTP,HTTP,SNMP,SIP |
| Compatible Integration | ONVIF, IMOS,API |
| Pan & Tilt | |
| Pan Range | 360° (endless) |
| Pan Speed | 0.1°/s ~ 240°/s |

| | |
|---------------------------------|---|
| | Preset speed: 300°/s |
| Tilt Range | -15° ~ +90° (auto reverse) |
| Tilt Speed | 0.1° ~ 160°/s |
| | Preset speed: 240°/s |
| Number of Preset | 255 |
| Patrol | Up to 16 patrols, up to 32 presets per patrol Note: The total number of patrols and patterns is 16. |
| Pattern | Up to 16 patterns, with the total recording time not less 15 minutes per pattern |
| Interface | |
| Audio I/O | Audio cable |
| | Input: impedance 35 k Ω ; amplitude 2 V [p-p] |
| | Output: impedance 600 Ω ; amplitude 2 V [p-p] |
| Alarm I/O | 1 / 1 |
| Network | 10M/100M Base-TX Ethernet |
| General | |
| Power Supply | 24 V AC |
| | Power consumption: 9 ~ 42W (IR:16W, heater: Max. 24 W) |
| Dimensions (\varnothing x H) | \varnothing 227 x 359.4 mm (\varnothing 8.9" x 14.2") |
| Weight | 5.28 kg (11.6 lb) |
| Working Environment | -40°C ~ +65°C (-40°F ~ 149°F), Humidity \leq 90% RH(non-condensing) |
| Ingress Protection | IP66 |

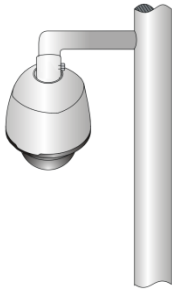
Dimensions



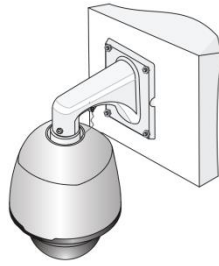
Installation



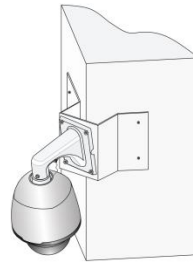
Pendant mount



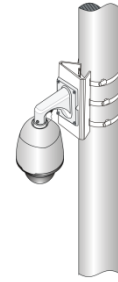
Standing pole mount



Wall mount



Corner mount



Pole mount

Accessories

| Installation mode | Accessories | Description |
|---------------------|--|---|
| Pendant mount | AE-TR-CE45 bracket | / |
| | Pendant components: AE-TR-UF45-A indoor ceiling plate AE-TR-UF45-B outdoor ceiling plate AE-TR-SE45 pendant rod (200mm) AE-TR-SE45-A pendant rod (500mm) | Ceiling plate is optional with different pendant rod for various applications |
| Standing pole mount | Customized bracket | The interface is designed with internal G1½ screws. The screw depth must be more than 23 mm. |
| Wall mount | AE-TR-WE45 bracket | / |
| Corner mount | AE-TR-WE45 bracket + AE-TR-UC08-A bracket | / |
| Pole mount | AE-TR-WE45 bracket + AE-TR-UP08-A bracket | / |

Zhejiang Uniview Technologies Co., Ltd.

South Tower, Building 10, Wanlun Science Park, 88 Jiangling Road, Hangzhou, P.R.China 310051

<http://www.uniview.com>

©2013 Zhejiang Uniview Technologies Co., Ltd. All rights reserved.

*Product specifications and availability are subject to change without notice.