



Product Feature

- Industrial level DID LCD panel, suitable for extensive 7×24 continuous works.
- Physical resolution of 1920×1080.
- 5ms fast response time, no image ghosting.
- Adapt newest 3D digital filtering and 3D digital noise reduction technology.
- Picture fast response; 178° wide viewing angle; Ensure that the image display is not deformed.
- High fidelity digital processing, brilliant and vivid video.
- Built-in speaker.
- Humanize Menu; Convenient Controller.

DNle digital image processing

Dynamic optimization



Natural color



Contrast enhancement



Detail enhancement



Wide Viewing Angles(Up to 178°)



178° (H)/178° (V)

DISPLAY CHARACTERISTICS

Mode Name	LC-ME2201-BNC
Screen Size	21.5"
Active Display Area (mm)	476.64mm(W)×268.11mm(H)
Display Mode	16:9
LED Type	TFT-LED
Resolution	1920 × 1080
Display Color	16.7M
Pixel Pitch(mm)	0.248(H)×0.248(V)
Brightness(nits)	350cd/m ²
Contrast Ratio	1000:1
Viewing Angle	85(H) /89(V)
Response Time	3.5ms
Backlight	LED

INPUT&OUTPUT

HDMI 2.0	1 VGA
1	
BNC (CVBS)	2
BNC (CVBS) output	1
Speaker	2x3W(Stereo)

VIDEO

Color System	PAL/NTSC/SECAM
OSD Control	Auto adjust, Brightness, Contrast, Hori. / Vert. Position, Clock, phase, Color, Language..
3D comb filter	YES
Video Noise Reduction	YES

POWER&Mount Way

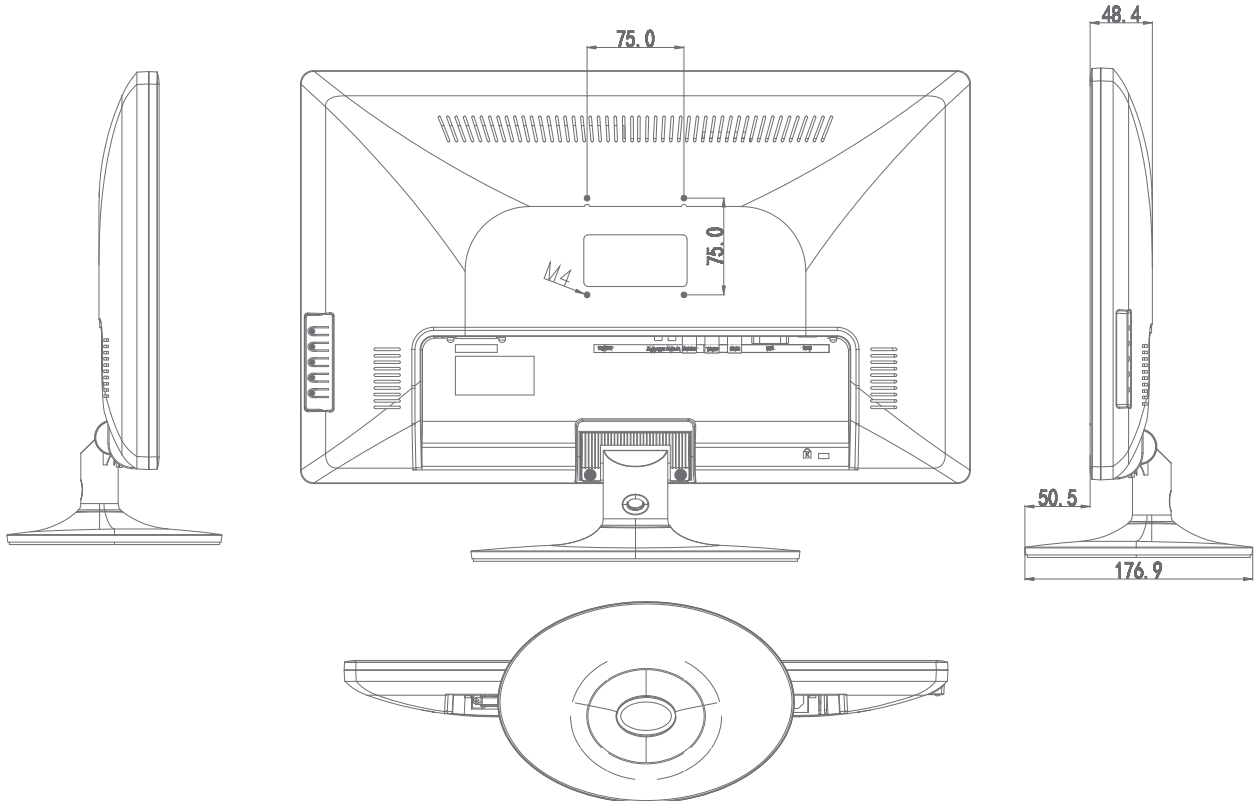
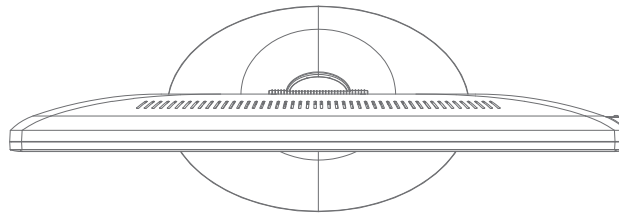
Power	DC12V~24V,50/60Hz
Working Temperature	-0 to +50 °C ≅20W
Power	Chinese/English(other languages supported) Stand
Consumption Menu	mount, VESA mount
Mounting	50000Hours

ACCESSORIES

INCLUDED ACCESSORIES	Industrial PSU, Screw, Cable holder, Quick start guide
----------------------	--



Unit:mm



All trademarks and registered trademarks acknowledged. E & O E. Specification subject to change without notice. All LCD's comply with ISO-9241-307:2008 in connection with pixel defects.

© ANRECSON CORPORATION (). ALL RIGHTS RESERVED.