

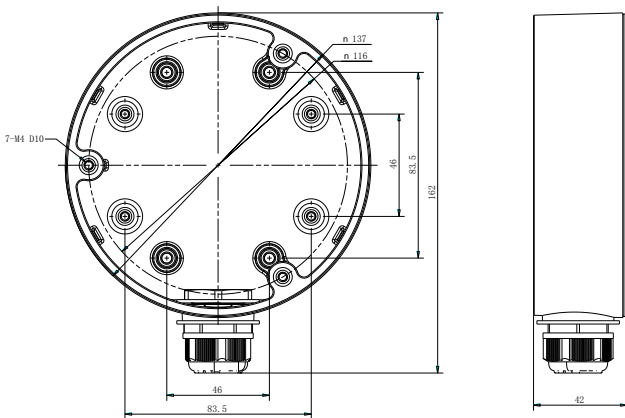
## DS-1280ZJ-DM21/B

Black Wall Mounting Bracket for Dome Camera

### Features:

- Aluminum alloy material with surface spray treatment
- Waterproof design

### Dimension:



### Order Model:

DS-1280ZJ-DM21

### Parameter:

Model	DS-1280ZJ-DM21
Parameters	Wall Mounting Bracket for Dome Camera
Appearance	Hikvision White
Material	Aluminum Alloy
Dimension	Φ 137×42mm
Weight	250g

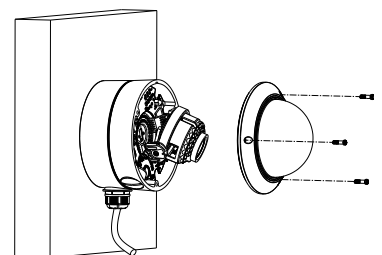
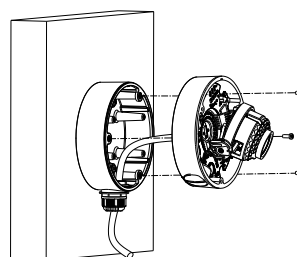
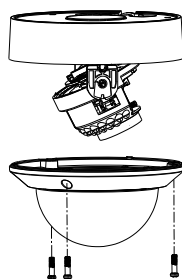
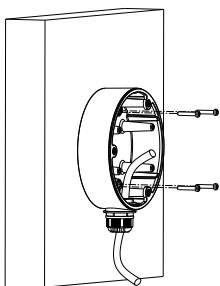


### Notice:

- The bracket should be installed on flat wall
- Waterproof rubber is necessary for outdoor application
- The wall must be capable of supporting over 3 times as much as the total weight of the camera and the mount.
- The maximum load capacity of the bracket is 4.5KG

### Installation Step:

- ① Choose the appropriate wall to install the bracket and thread the cable
- ② Separate basement and dome of camera
- ③ Fix the basement of camera to bracket and thread the cable
- ④ Adjust the angle of view, fix the lower case, and complete the installation



**Note:** The actual dome camera may vary from the picture above.