

DS-1280ZJ-TR13/BLACK

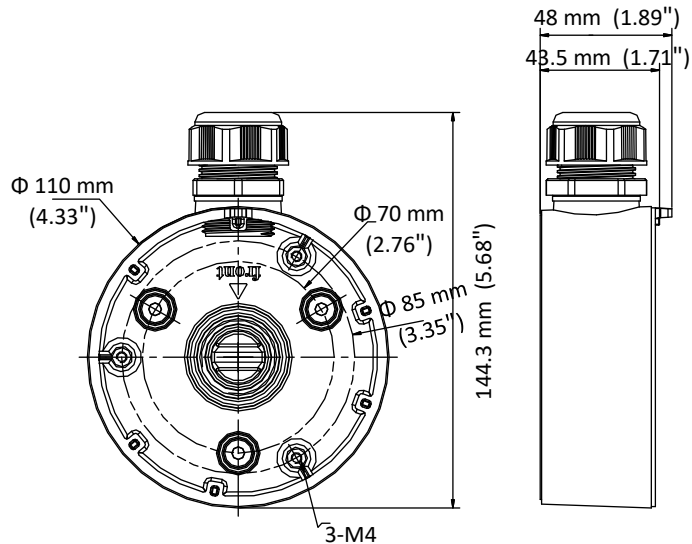
Junction Box



Feature

- Adopts aluminum alloy die-casting formation
- Applied to both indoor and outdoor conditions

Dimension



Available Model

DS-1280ZJ-TR13

Parameter

Model	DS-1280ZJ-TR13
Parameters	Junction Box
Appearance	Hikvision Black
Material	Aluminum Alloy
Dimension	Φ110 mm × 144.3 mm × 48 mm (4.33" × 5.68" × 1.89")
Weight	Approx. 247 g (0.54 lb.)

Notes

- The junction box should be installed on a flat surface.
- The waterproof rubber is necessary for the outdoor application.
- The wall should be capable of supporting at least 3 times as much as the total weight of the camera, and the junction box.
- The maximum load capacity of the junction box is 0.5 kg (1.10 lb.).