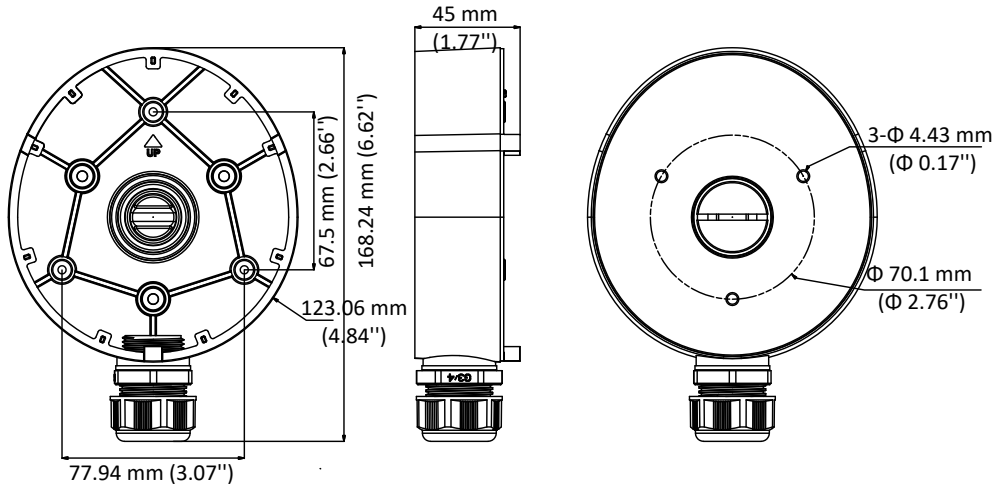


## Wall Mount

### Features

- Alloy with surface spray treatment
- Applied to both indoor conditions, and outdoor conditions
- With sealing ring(s)

### Dimension



### Parameter

Model	DS-1280ZJ-TR12/GREY
Parameters	Wall Mount
Appearance	Grey
Material	Alloy
Dimension	123.06 mm × 168.24 mm × 45 mm (4.84" × 6.62" × 1.77")
Weight	215 g (0.47 lb.)

### Notes

- The mount should be installed on the flat surface.
- Waterproof rubber is necessary for the outdoor application.
- The wall should be capable of supporting at least 3 times as much as the total weight of the camera, and the mount.
- The maximum load capacity of the mount is 2.5 kg (5.51 lb.).