

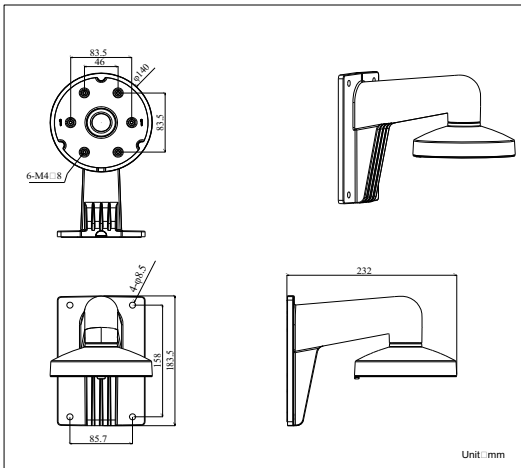
## DS-1273ZJ-140

DS-2CE56D5T-AVPIR3 & DS-2CC51xxP(N) Wall Mounting Bracket for Dome Camera

### Features:

- Aluminum alloy material with surface spray treatment
- The outlet hole makes the feature looks better
- Better water proof design
- Convenient installation coordinating with lower bowl

### Dimension:



### Order Model:

DS-1273ZJ-140 ("B")with connection box)

### Parameter:

Model	DS-1273ZJ-140
Parameters	DS-2CC51xxP(N) DS-2CE56D5T-AVPIR3 Wall Mounting Bracket for Dome Camera
Colour	Hik White
Range of Application	Suitable for DS-2CE56D5T-AVPIR3 DS-2CC51xxP dome camera wall mounting
Material	Aluminum Alloy
Dimension	140×182×120mm
Weight	703g

### Notice:

- Suitable for DS-2CE56D5T-AVPIR3DS-2CC51xxP-VF dome camera
- Pay attention to the colour matching when select bracket
- The bracket should be installed on flat wall
- The wall must be capable of supporting over 3 times as much as the total weight of the camera and the mount
- The maximum load capacity of the bracket is 4.5KG

### Model Suitable:

DS-2CC51xxP(N)-VP  
DS-2CC51xxP(N)-VPIR  
DS-2CC51xxP(N)-VPIRH  
DS-2CE56D5T-AVPIR3

