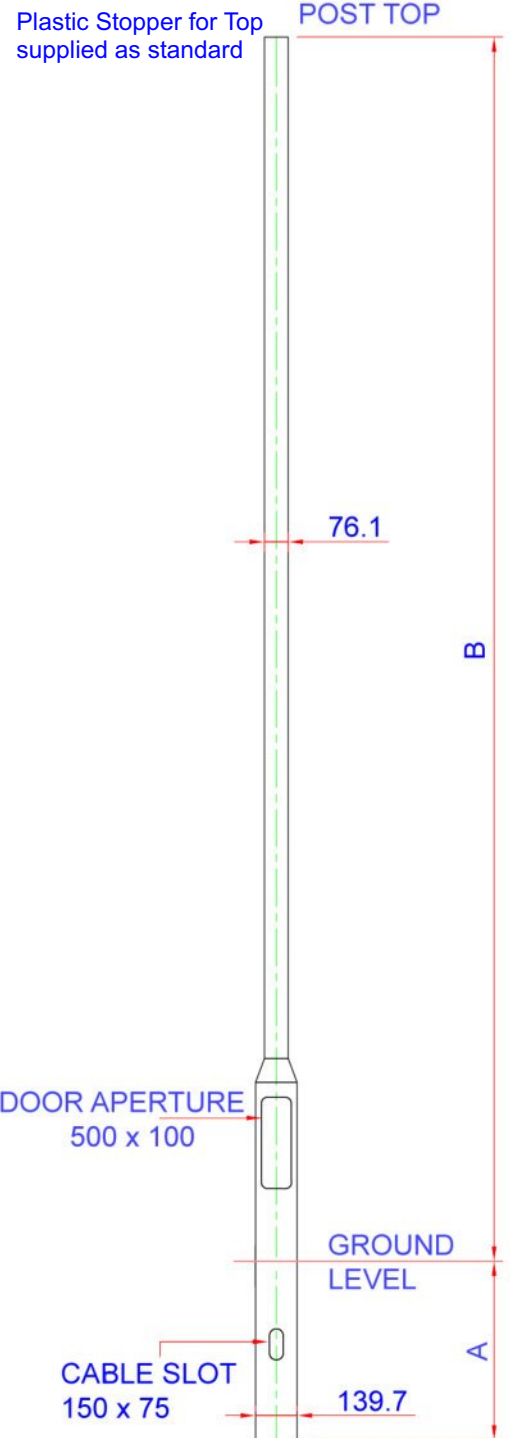


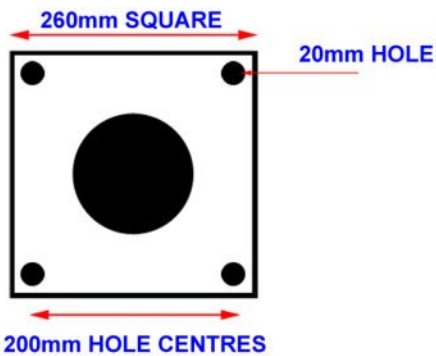
Heavy Galvanized Steel Columns

- Direct bury or flange mount options
- Anti climb spike ring available at additional cost
- 700mm wide mounting top bar at additional cost

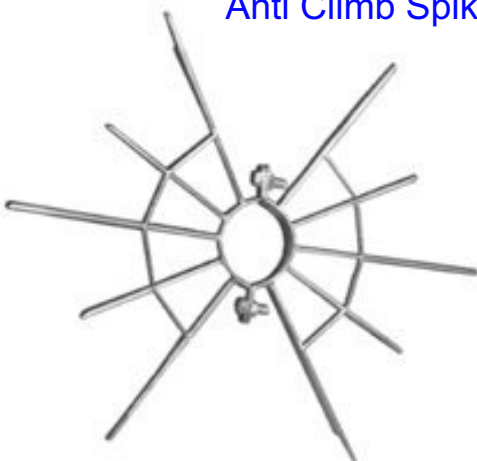
HEIGHT	A	B
3MTR	800	3000
4MTR	800	4000
5MTR	800	5000
6MTR	1000	6000



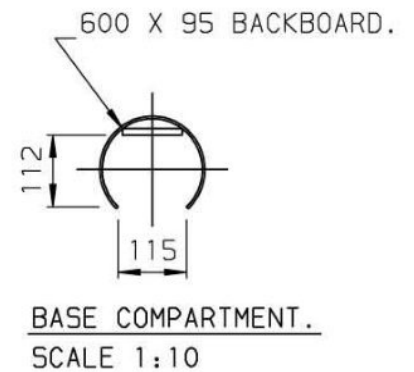
Optional Flanged surface mount base



Anti Climb Spike ring



700mm T mount Bar



Installation Notes for Root Bury Column

Guidance Notes:

1. Excavate hole approx. 100mm / 200mm larger than the base of column diameter to full depth of root.
2. Drop in broken slab or brick (to prevent sinking).
3. Using a semi-dry concrete mix, put bottom covering in first, then lower column on to slab.
4. Continue concrete filling (to just under cable entry slot), and insert SWA cable.
5. Compact excavated material as backfill on top of concrete.
6. If required, use concrete/tarmac/asphalt finish.

NOTE:

This method is suitable for normal cohesive soil. If soil is "sandy" or for heavily loaded columns, use more concrete and plastic duct into cable entry.

N.B. It is the responsibility of the installer to ensure the suitability of this method and no liability arising from it's use will be accepted by Securitytec Ltd

