

CS-DB2-A0-2C5WPFBR

Battery-powered Video Doorbell Kit



Introduction

The DB2 Pro wire free video doorbell kit includes a battery-powered doorbell and a chime which can ensure you a reliable protection at your doorstep, you can enjoy high-quality video chat with visitors and keep an eye on what's happening at your front door right through your phone via the EZVIZ app. Meanwhile, you won't miss an alert at home thanks to the chime included in our package.

Main Features



2K+ Resolution



Ultra-Wide FOV (176° diagonal)



Advanced PIR Motion Detection and Human Motion Detection



Tamper Alarm



5200mAh Rechargeable Lithium Battery, standby up to 400 day



Infrared Night Vision up to 5m/20ft

H.265

H.265 Video Technology



Wi-Fi Chime Included (Supports Micro SD card up to 256GB)



IP65 weatherproof



Extend Wi-Fi signal (Chime)

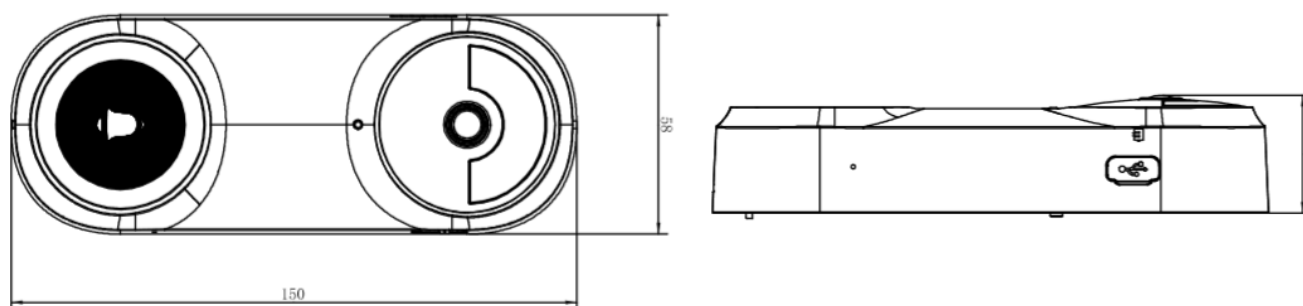


Two-way talk



Support multiple Ringtones

Dimension



Specifications

Model	CS-DB2-A0-2C5WPFBR
Camera Parameters	
Image Sensor	1/2.7" Progressive Scan CMOS (Supports low light sensitivity)
Lens	2.0 mm @ F2.0, view angle: 176° (Diagonal)
Day & Night	IR-cut filter with auto-switching
Video Parameters	
Max. Resolution	2544 × 1888
DNR	2D/3D DNR
Video Compression	H.265 / H.264
Frame Rate	Max: 15fps; Self-Adaptive during network transmission
PIR Sensor	
Sensing Angle	100°
Sending Distance	Max. 5 m (16.4 ft)
Sensitivity	User adjustable (High, Medium and Low Sensitivity)
Interface	
Audio Input	Built-in high-sensitivity microphone
Audio Output	Built-in high-power speaker
Reset button	Yes
Network Parameters	
Protocol	EZVIZ Cloud Proprietary Protocol
Interface Protocol	EZVIZ Cloud Proprietary Protocol
Functions	
Intelligent Alarm	PIR + human shape smart motion detection
Tamper Alarm	Sound and light anti-dismantling alarm (supports sending alerts to the smartphone)
Video Intercom	Long-distance video two way talk
Wi-Fi Parameters	
Wi-Fi Standard	IEEE802.11b, 802.11g, 802.11n
Frequency Range	2.4GHz ~ 2.4835GHz
Channel Bandwidth	Supports 20MHz
Security	64/128-bit WEP, WPA/WPA2,WPA-PSK/WPA2-PSK
Transmission Rate	11b: 11Mbps,11g: 54Mbps,11n: 150Mbps
General	
Operation Conditions	-20°C to 50°C (-4°F to 122°F), Humidity 95% or less (non-condensing)
Ingress Protection Grade	IP65
Weight	241.35 g (8.5 oz)
Size	150 × 58 × 32 mm (5.91 × 2.28 × 1.24 inch)
Battery Capacity	5200mAh rechargeable lithium battery
Power Supply	DC5V±10% 2A
Power Consumption	Max. 2W
Chime	
Size	100 × 55 × 35 mm (3.94 × 2.17 × 1.38 inch)
Power Supply	AC 110 ~ 240V
Wi-Fi Standard	IEEE802.11b, 802.11g, 802.11n
Audio Output	72dB within 1 meter
Storage	Supports microSD card up to 256 GB
Weight	120 g (4.2 oz)