

# Network Video Recorder

## NVR302 Series



### Key Features

- Support H.265/H.264 video formats
- Support TVI,AHD, CVI,CVBS, IP cameras with adaptive access
- 8/16-channel BNC input
- Up to 8MP resolution for recording
- Support 1-ch HDMI output at up to 4K, 1-ch VGA output at up to 1920\*1080
- Long transmission distance over coax cable

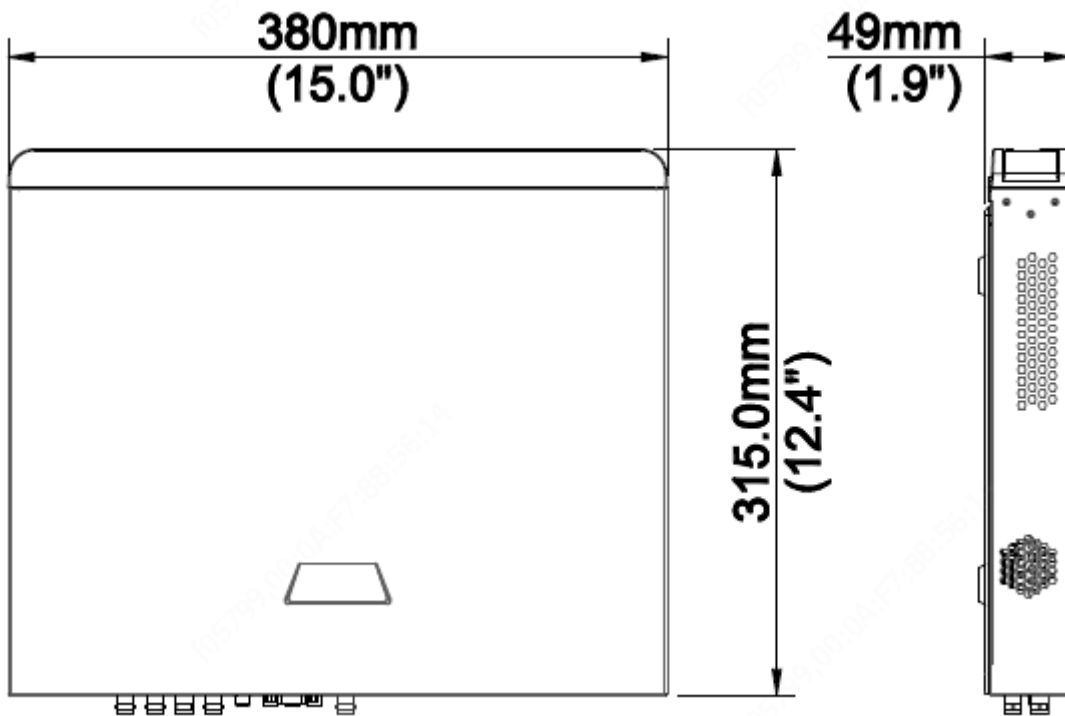
### Specifications

Model	NVR302-08Q	NVR302-08U	NVR302-16Q
<b>Video/Audio Input</b>			
Analog Video Input	8-ch, BNC	8-ch, BNC	16-ch, BNC
IP Video Input	4-ch	8-ch	8-ch
Supported Analog Camera Types	<b>Support AHD input:</b> 3M@30/25/18fps(channel1 - channel2), 1080P@30/25fps, 720P@30/25/50/60fps <b>Support TVI input:</b> 3M@20/18fps (channel1 - channel2), 1080P@30/25fps, 720P@30P/25/50/60fps <b>Support CVI input:</b> 1080P@30/25fps, 720P@30/25/50/60fps	<b>Support AHD input:</b> 8M@15fps 5M@20/12fps 4M@30/25/15fps, 3M@30/25/18fps, 1080P@30/25fps, 720P@30/25/50/60fps <b>Support TVI input:</b> 8M@15/12fps, 5M@20/12fps, 4M@30/25/15/12fps, 3M@20/18fps, 1080P@30/25fps,	<b>Support AHD input:</b> 3M@30/25/18fps (channel1 - channel4), 1080P@30/25fps, 720P@30/25/50/60fps <b>Support TVI input:</b> 3M@20/18fps (channel1 - channel4), 1080P@30/25fps, 720P@30/25/50/60fps <b>Support CVI input:</b> 1080P@30/25fps, 720P@30/25/50/60fps <b>Support CVBS input</b>

	<b>Support CVBS input</b>	720P@30/25/50/60fps <b>Support CVI input:</b> 8M@12/15fps, 4M@30/25fps, 1080P@30/25fps, 720P@30/25/50/60fps <b>Support CVBS input</b>	
Audio Input	1-ch, RCA	4-ch, RCA	1-ch, RCA
Two-way Audio	1-ch, RCA	-	1-ch, RCA
Channel Associated Audio	-	4-ch, RCA	-
<b>Network</b>			
Incoming Bandwidth	40Mbps	64Mbps	40Mbps
Outgoing Bandwidth	64Mbps	64 Mbps	80Mbps
Remote Users	128		
Protocols	TCP/IP, P2P, UPnP, NTP, DHCP, PPPoE		
<b>Video/Audio Output</b>			
CVBS Output	1-ch, BNC	1-ch, BNC	1-ch, BNC
VGA Output	1920x1080p/60Hz, 1920x1080p/50Hz, 1600x1200/60Hz, 1280x1024/60Hz, 1280x720/60Hz, 1024x768/60Hz		
HDMI Output	1920x1080p/60Hz, 1920x1080p/50Hz, 1600x1200/60Hz, 1280x1024/60Hz, 1280x720/60Hz, 1024x768/60Hz	4K(3840X2160)/60Hz , 4K(3840X2160)/30Hz, 1920x1080p/60Hz, 1920x1080p/50Hz, 1600x1200/60Hz, 1280x1024/60Hz, 1280x720/60Hz, 1024x768/60Hz	1920x1080p/60Hz, 1920x1080p/50Hz, 1600x1200/60Hz, 1280x1024/60Hz, 1280x720/60Hz, 1024x768/60Hz
Recording Resolution	3MP/1080P/960P/720P/960H/4C IF/CIF	8MP/5MP/4MP/3MP/1080P/960P/ 720p/960H/4CIF/CIF	3MP/1080P/960P/720P/960H/4CIF/CIF
Audio Output	1-ch, RCA		
Synchronous Playback	8-ch	8-ch	16-ch
<b>Decoding</b>			
Decoding format	H.265/H.264		
Live View/ Playback	12MP/8MP/5MP/4MP/3MP/1080P/960P/720P/960H/4CIF/CIF/QCIF	12MP/8MP/5MP/4MP/3MP/1080P/960P/720p/960H/4CIF/CIF/QCIF	12MP/8MP/5MP/4MP/3MP/1080P/960P/720P/960H/4CIF/CIF/QCIF
Capability	1 x 4K@30, 1 x 6MP@30, 1 x 5MP@30, 2 x 4MP@30, 2 x 3MP@30, 3 x 3MP@25, 4 x 1080p@30,		2 x 4K@30, 2 x 6MP@30, 3 x 5MP@30, 4 x 4MP@30, 4 x 3MP@30, 6 x 3MP@25, 8 x 1080p@30,

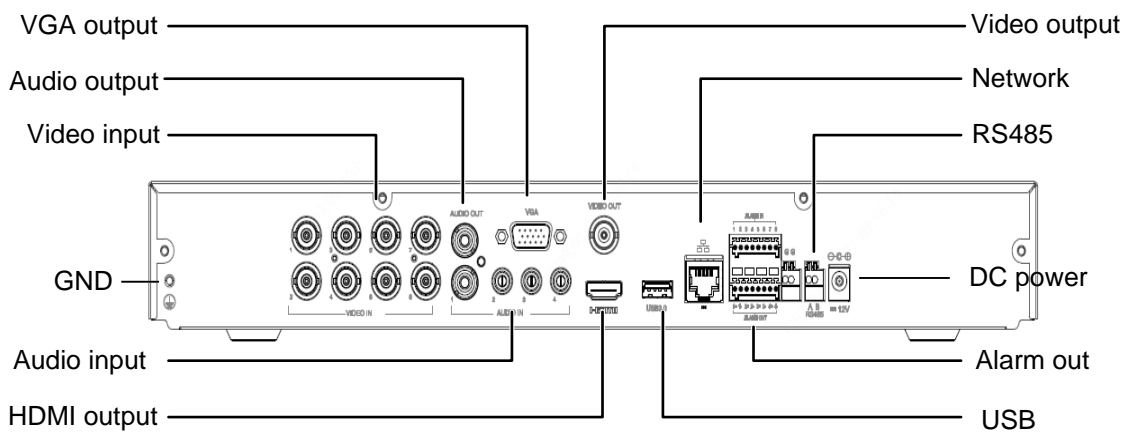
	8 x 720p@30,	16 x 720p@30,	
<b>Encoding</b>			
Frame Rate	Main stream: 3MP@15P(channel1 - channel2), 2MP@15P(channel3 - channel8), 720P@30P(All channels) Sub stream: D1@30P(Max)	Main stream: 8MP@8P*8, 5MP@12P*8, 4MP@15P*8, 3MP@18P*8, 2MP@25P*8, 720P@30P*8 Sub stream: D1@30P(Max)	Main stream: 3MP@15P(channel1 - channel4), 2MP@15P(channel5 - channel16), 720P@30P(All channels) Sub stream: D1@30P(Max)
<b>Hard Disk</b>			
SATA	2 SATA interface		
Capacity	Up to 10TB for each HDD		
<b>External Interface</b>			
Network Interface	1RJ45 10M/100M self-adaptive Ethernet Interfaces	1RJ45 10M/100M/1000M self-adaptive Ethernet Interfaces	
USB Interface	Rear panel: 1 x USB2.0,Front panel: 1xUSB2.0	Rear panel: 1 x USB3.0,Front panel: 1xUSB2.0	
Seral Interface	1 x RS485		
Alarm In	-	8	-
Alarm Out	-	4	-
<b>General</b>			
Power Supply	12V DC Power Consumption: ≤ 8 W( without HDD )	12V DC Power Consumption: ≤ 12 W( without HDD )	
Working Environment	-10°C ~ + 55°C ( +14°F ~ +131°F ), Humidity ≤ 90% RH(non-condensing)		
Dimensions(W×D×H)	380mm ×315mm× 49mm (15" × 12.4"×1.9")		
Weight ( without HDD )	≤1.9 Kg ( 4.19lb )		

## Dimensions



## Rear Panel

Take NVR302-08U for example



Zhejiang Uniview Technologies Co.,Ltd.

Building No.10, Wanlun Science Park, Jiangling Road 88, Binjiang District, Hangzhou, Zhejiang, China

Email: [overseasbusiness@uniview.com](mailto:overseasbusiness@uniview.com); [globalsupport@uniview.com](mailto:globalsupport@uniview.com)

<http://www.uniview.com>

©2018 Zhejiang Uniview Technologies Co.,Ltd. All rights reserved.

\*Product specifications and availability are subject to change without notice.