



Model OT-PLC101POE / OT-PLC101-DC

PoE Extender

Product Datasheet



CE FC RoHS  

www.ourten.cn

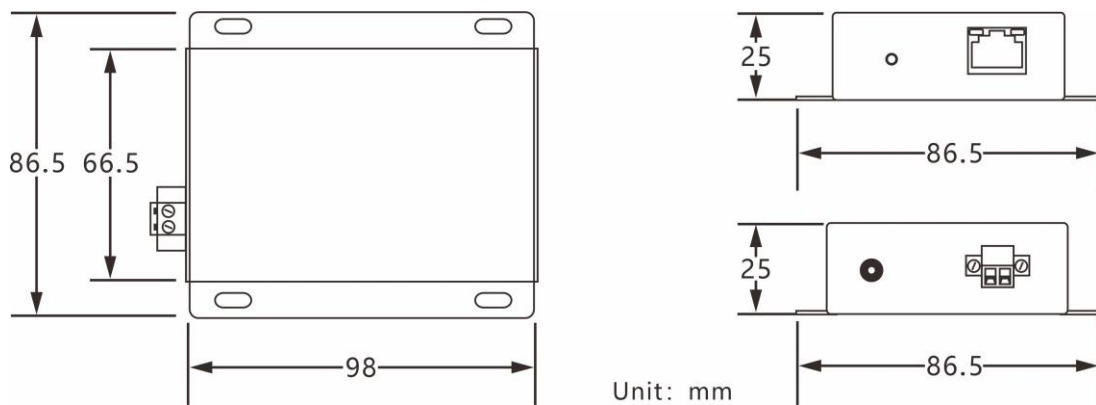
OT-PLC101POE / OT-PLC101-DC PoE Extender is a high speed Ethernet transmission device. It transmits Ethernet and PoE signal over single pair 2-wire cable. This device supports both PoC and PoE function.

This device contains one Receiver unit and one Transmitter unit, and can be connected to the existing cabling infrastructure for IoT devices including IP phones, cameras, access control, speakers and etc.

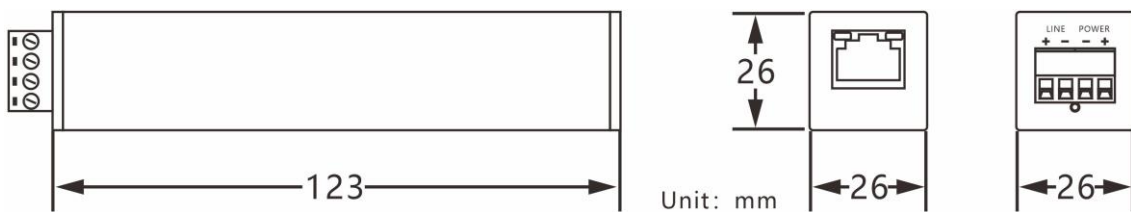
Features

- ☆ PoE over 1 pair 2-wire cable up to 500m
- ☆ Full duplex 10/100Mbps
- ☆ Can be powered by 48-56VDC or PoE switch/injector
- ☆ Transparent transmission

Dimension



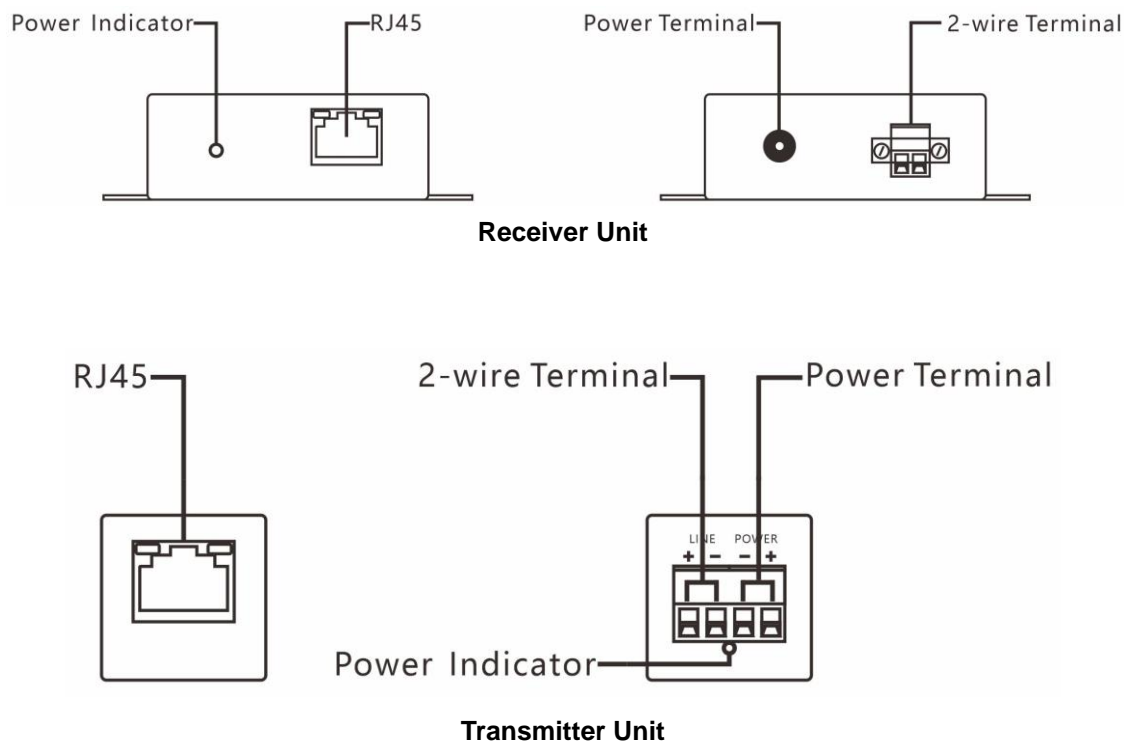
Receiver Unit



Transmitter Unit

Note: Dimension error value ± 1 mm

Interface Description



Technical Parameter

Category		Description
Power Input (Receiver)	RJ45/PoE Input	Standard 48~56VDC; IEEE802.3af/at/bt
	DC Port Input	48~56VDC
	Power Consumption	≤1.5W / PC
Power Output (Transmitter)	RJ45/PoE Output	Standard 48VDC; IEEE802.3af/at
	Power Consumption	≤1.5W / PC
Ethernet	IEEE 802.3, IEEE802. 3u	Full duplex 10/100Mbps
Physical Characteristic	Dimension (L x W x H)	Receiver: 98x86.5x25mm Transmitter: 123x26x26mm
	Material	Aluminum Alloy
	Net Weight	Receiver: 240g Transmitter: 105g
Operating Environment	Working Temperature	-20°C~60°C
	Working Humidity	<95% (Non-condensation)

Power, Bandwidth & Distance Table

Receiver <- -> Transmitter		Cable 2x0.75 mm ²			
Receiver power supply type		PoE 30 W	PoE 90 W	48-56VDC (30 W)	48-56VDC (60 W)
Distance 100 M	Bandwidth (Mbps)	83	83	83	83
	PoE (W)	27	27	28.5	28.5
Distance 200 M	Bandwidth (Mbps)	82	82	82	82
	PoE (W)	26.5	27	28	28.5
Distance 300 M	Bandwidth (Mbps)	80	80	80	80
	PoE (W)	26.3	27	27.8	28.5
Distance 400 M	Bandwidth (Mbps)	78.2	78.2	78.2	78.2
	PoE (W)	22.8	27	24.3	28.5
Distance 500 M	Bandwidth (Mbps)	76	76	76	76
	PoE (W)	18.2	27	19.7	28

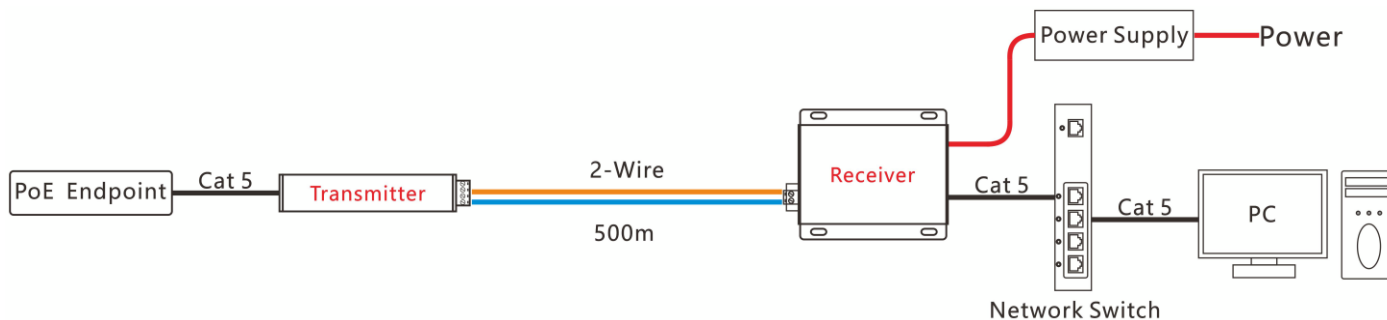
Receiver <- -> Transmitter		Coaxial cable			
Receiver power supply type		PoE 30 W	PoE 90 W	48-56VDC (30 W)	48-56VDC (60 W)
Distance 100 M	Bandwidth (Mbps)	84.2	84.2	84.2	84.2
	PoE (W)	26.6	27	28.5	28.5
Distance 200 M	Bandwidth (Mbps)	83.4	83.4	83.4	83.4
	PoE (W)	26.2	27	28.5	28.5
Distance 300 M	Bandwidth (Mbps)	82	82	82	82
	PoE (W)	26	27	27.5	28.5
Distance 400 M	Bandwidth (Mbps)	80	80	80	80
	PoE (W)	22.2	27	23.7	28.5
Distance 500 M	Bandwidth (Mbps)	79	79	79	79
	PoE (W)	17.8	27	19.3	28

Note:

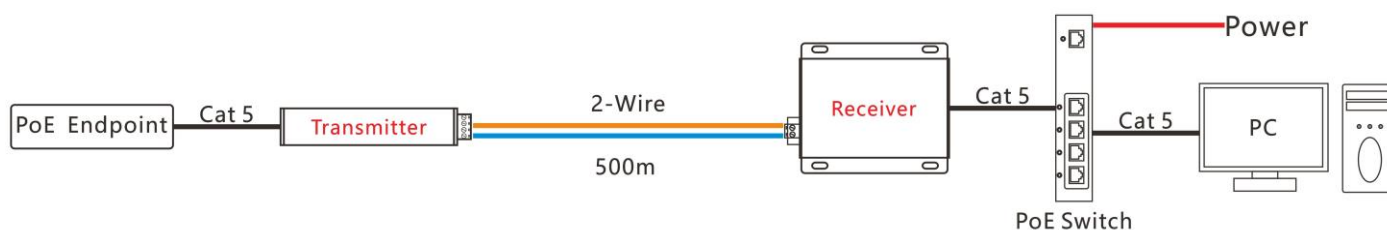
The actual data speed and PoE performance can vary by the environmental conditions and the cable qualities.

Connection Diagram

1. When the Receiver unit is powered by 48~56VDC, the Transmitter unit and PoE devices can be powered without external power supply.



2. When the Receiver unit is powered by PoE switch, the Transmitter unit and PoE devices can be powered without external power supply.



Shaoxing Ourten Electronics Co., Ltd.

#1 Liando U Valley, No. 1999 Wuxing West Road, Shangyu, Zhejiang, China

Tel: +86-21-5888 9980 (+86-575-8213 7256); Fax: +86-575-8212 7256

Email: sales@ourten.com

www.ourten.cn

Thank you for choosing Ourten!