

4MP Fixed Dome Network Camera

IPC3614LR3-PF28 (40)



Key Features

Optics

- Day/night functionality
- SmartIR, up to 30 m (98 ft) IR distance
- 3D DNR (Digital Noise Reduction)

Compression

- H.265, H.264, MJPEG
- Triple streams
- 9:16 corridor format

Network

- ONVIF Conformance

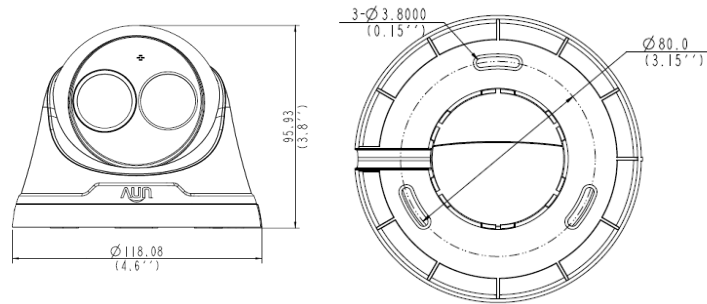
Structure

- Wide temperature range: -20°C to 50°C (-4°F to 122°F)
- Wide voltage range of $\pm 25\%$

Specifications

	IPC3614LR3-PF28	IPC3614LR3-PF40
Camera		
Sensor	1/3", 4megapixel, progressive scan, CMOS	
Lens	2.8mm@F1.8	3.6mm@F1.8
Angle of view(H)	101.8°	76.8°
Shutter	Auto/Manual, 1/6~1/100000 s	
Min. Illumination	Colour: 0.02 Lux (F1.8, AGC ON) 0 Lux with IR	
IR Range	30m (98ft) IR range	
Day/Night	IR-cut filter with auto switch (ICR)	
WDR	Digital	
AWB(Auto white balance)	Auto/manual	
Gain Control	Auto/manual	
Noise Reduction	2D/3D	
Video		
Max. Resolution	2592×1520	
Video Compression	H.265, H.264, MJPEG	
Frame Rate	4MP (2592×1520): Max.20 fps; 4MP (2560×1440): Max.25 fps 3MP (2048×1520): Max.30 fps; 1080P (1920×1080): Max. 30 fps	
Video Streaming	Triple	
ROI	Supported	
HLC	Supported	
9:16 Corridor Mode	Supported	
Evaluative Metering	Supported	
OSD	Up to 8 OSDs	
Motion Detection	Up to 4 areas	
Privacy Mask	Up to 8 areas	
Network		
Protocols	IPv4, IGMP, ICMP, ARP, TCP, UDP, DHCP, PPPoE, RTP, RTSP, RTCP, DNS, DDNS, NTP, FTP, UPnP, HTTP, HTTPS, SMTP, 802.1x	
Compatible Integration	ONVIF,API	
Interface		
Network	10M/100M Base-TX Ethernet	
General		
Power	12 V DC, or PoE (IEEE802.3 af)	
	Power consumption: Max 5.0W	
Dimensions (Ø x H)	Φ118 x 96 mm (Ø4.6" x 3.8")	
Weight	0.2 kg (0.44lb)	
Operating Conditions	-20C ~ +50°C (-4°F ~ 122°F), Humidity ≤ 95% RH(non-condensing)	

Dimensions



Zhejiang Uniview Technologies Co.,Ltd.

South Tower, Building 10, Wanlun Science Park, 88 Jiangling Road, Hangzhou, P.R.China 310051

Email: overseasbusiness@uniview.com; globalsupport@uniview.com

<http://www.uniview.com>

©2017Zhejiang Uniview Technologies Co.,Ltd. All rights reserved.

*Product specifications and availability are subject to change without notice.